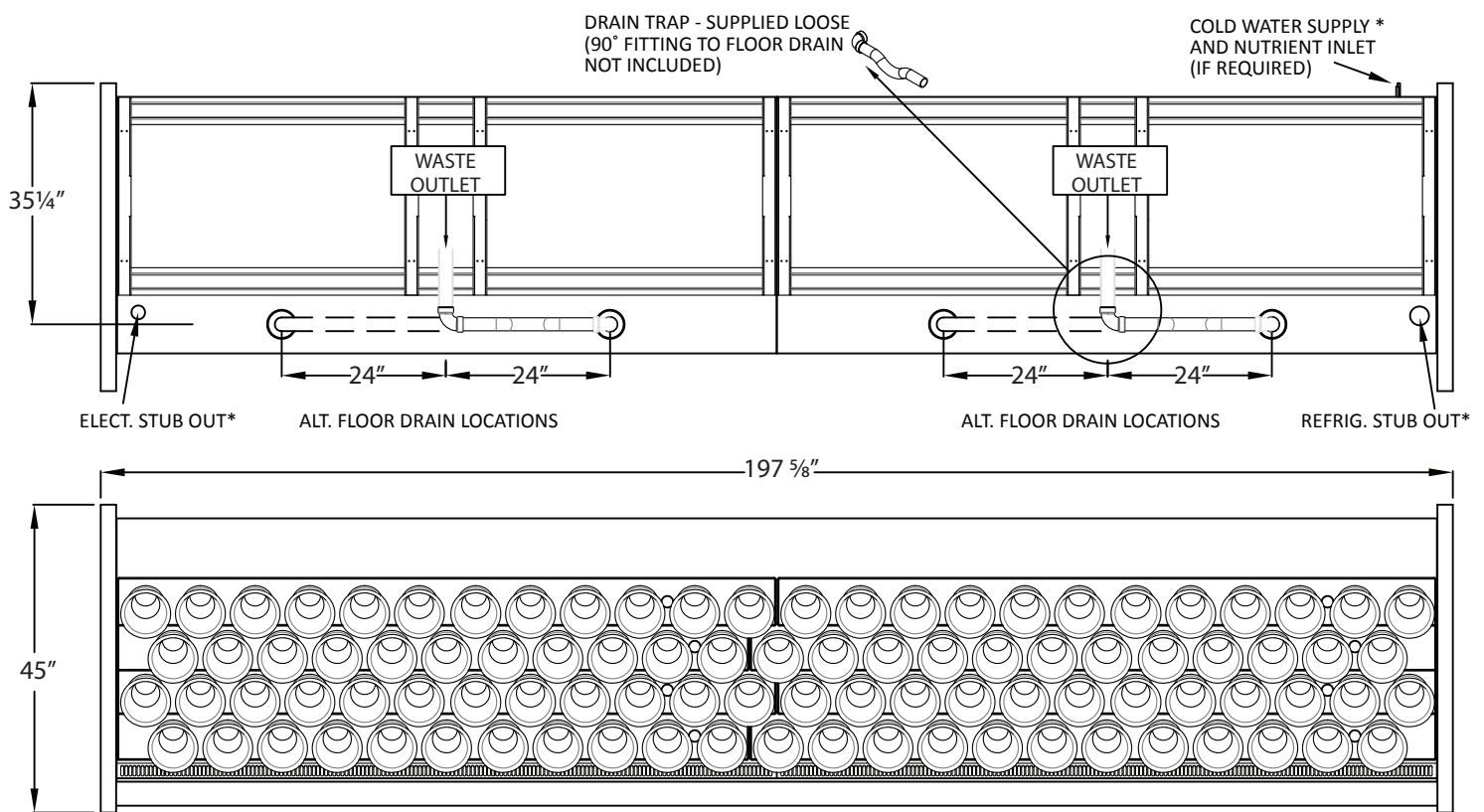




**Floraline Floralwall® - MP16' Low Profile**  
 Our refrigerated floral fixture at convenient counter height.

Features:

- Self-watering - flush and fill cycle using our programmed electronics.
- Automatic water level sensor - always have vases full of fresh water.
- Consistent 36° F air temperature.
- High Humidity - 65% to 80%.
- 15° forward lean, locking vase collars - your bouquets are displayed properly.

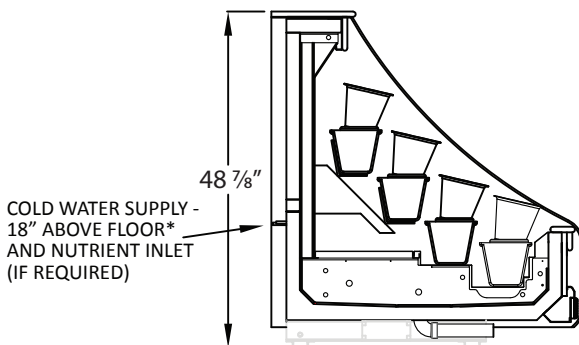


Top view - 94 watering vases

Note:

\* shown in standard location, alternate locations available

LIGHTS	N/A		MP16	
FANS	2.2 AMP	115V	1PH	60Hz
H <sub>2</sub> O Transformer	3.0 Amp Max			
Defrost Cycle	2 times daily for 30 minutes each			
BTUs@+25°F	10,560	R-404A STANDARD		



Floraline Display Products Corporation - [www.floraline.com](http://www.floraline.com)

38160 Western Parkway Willoughby, Ohio 44094

Phone: (440) 975-9449 or 800-239-3722

Fax: (440) 918-9043