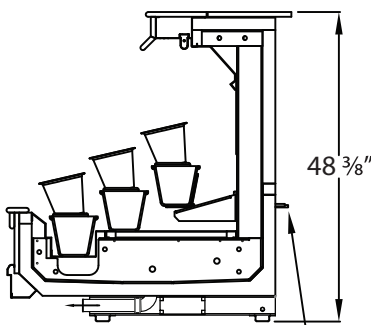
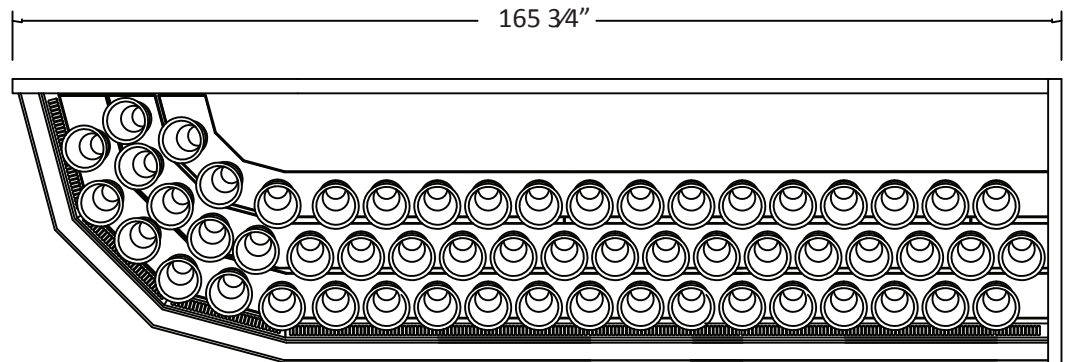


Floraline Floralwall - MP13'- 9" LC

Our refrigerated floral fixture at convenient counter height with 57 vase capacity.

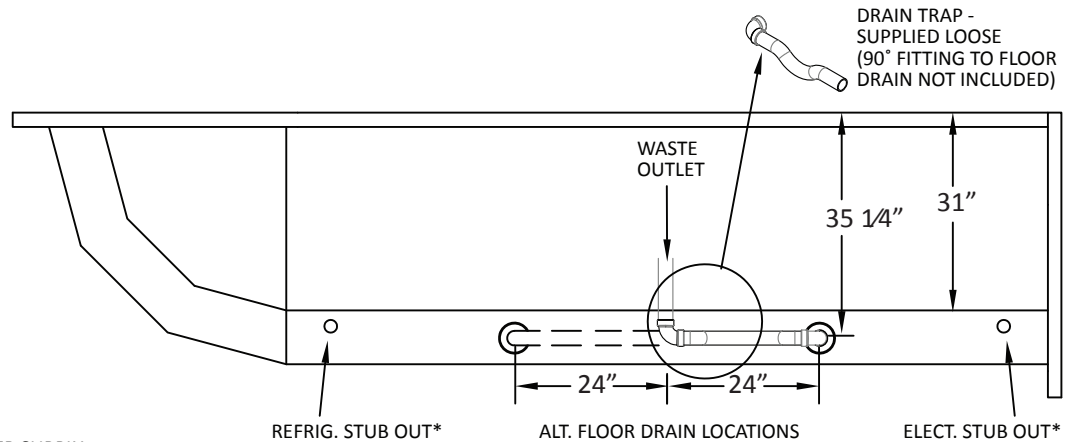
Features:

- Self-watering - flush and fill cycle using our programmed electronics.
- Automatic water level sensor - always have vases full of fresh water.
- Consistent 36° F air temperature.
- High Humidity - 65% to 80%.
- 15° forward lean, locking vase collars - your bouquets are displayed properly.



MP Section View

COLD WATER SUPPLY
NUTRIENT INLET
(IF REQUIRED)



DRAIN TRAP -
SUPPLIED LOOSE
(90° FITTING TO FLOOR
DRAIN NOT INCLUDED)

Note:

* shown in standard location, alternate locations available

LIGHTS	1.8 AMP		MP13' 9" LC	
FANS	1.6 AMP	115V	1PH	60Hz
H ₂ O Transformer	1.5 Amp Max			
Defrost Cycle	2 times daily for 30 minutes each			
BTUs@+25°F	8,750		R-404A STANDARD	

Floraline Display Products Corporation - www.floraline.com

38160 Western Parkway Willoughby, Ohio 44094

Phone: (440) 975-9449 or 800-239-3722

Fax: (440) 918-9043